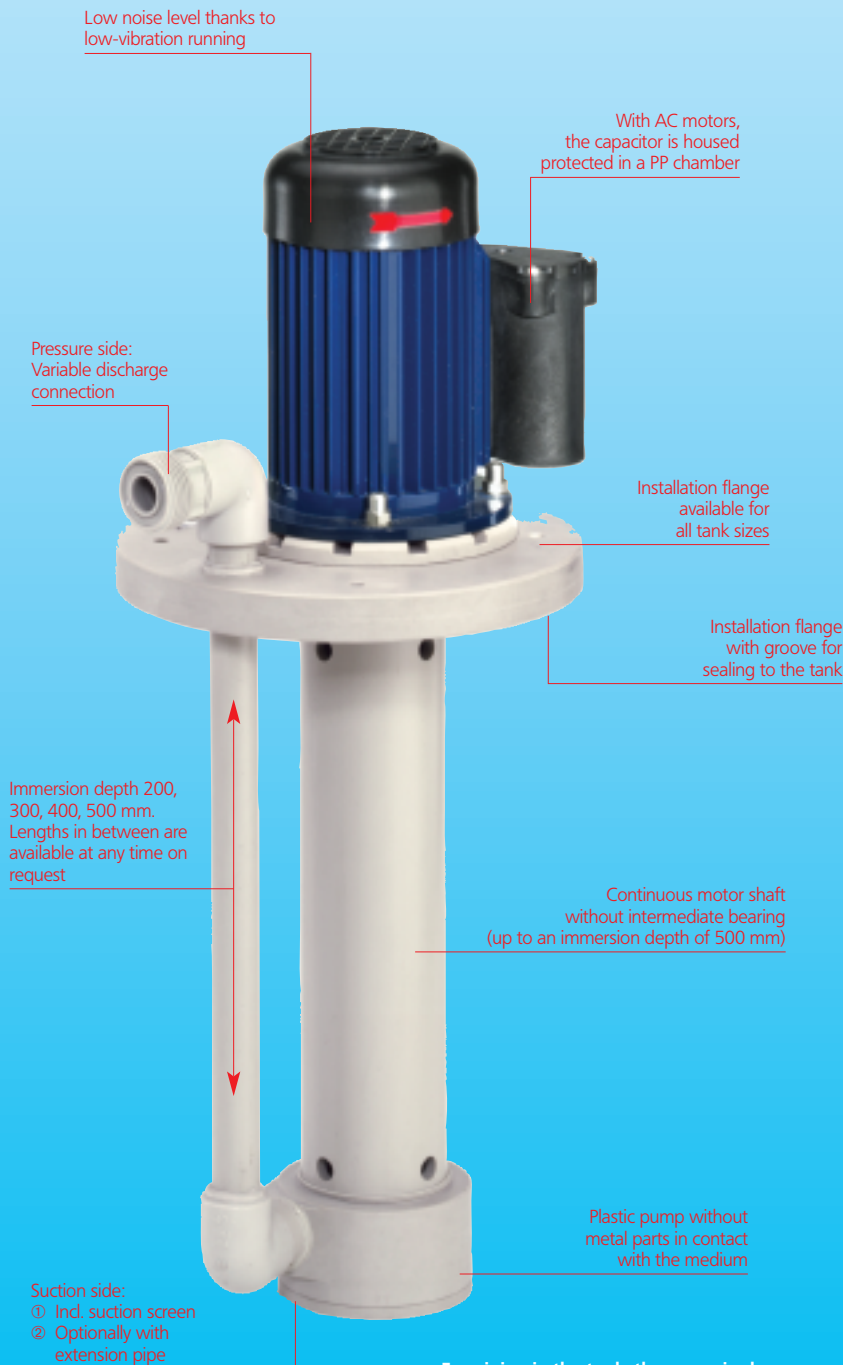


VERTICAL CENTRIFUGAL IMMERSION PUMP SERIES RT1.5

safe to run dry without shaft
intermediate bearing up to an
immersion depth of 500 mm



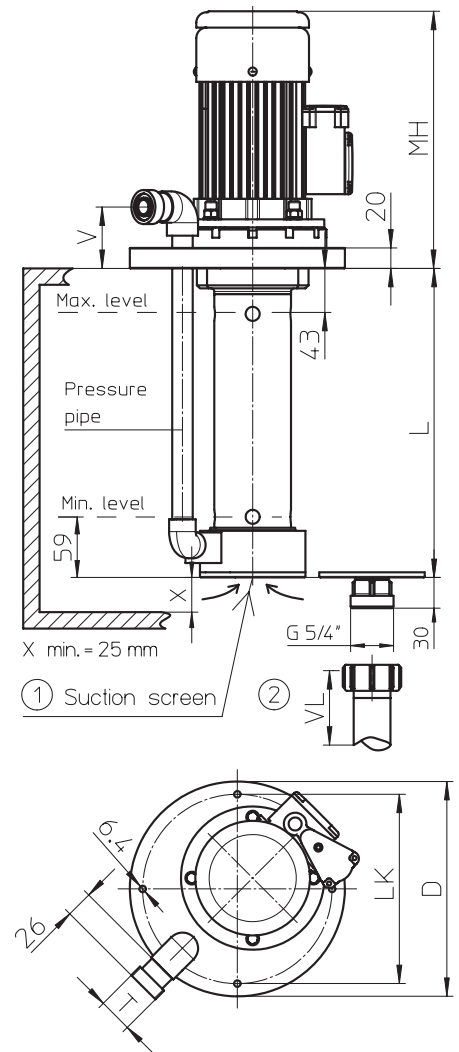
For piping in the tank, the pump is also available without a pressure pipe.



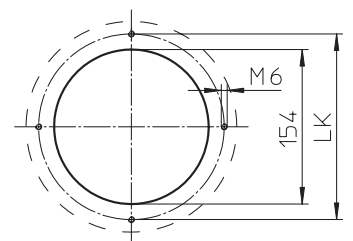
Note

Please refer to the detailed technical information on Pages 5 to 11, which applies to all modules.

Dimensions in mm



Installation opening

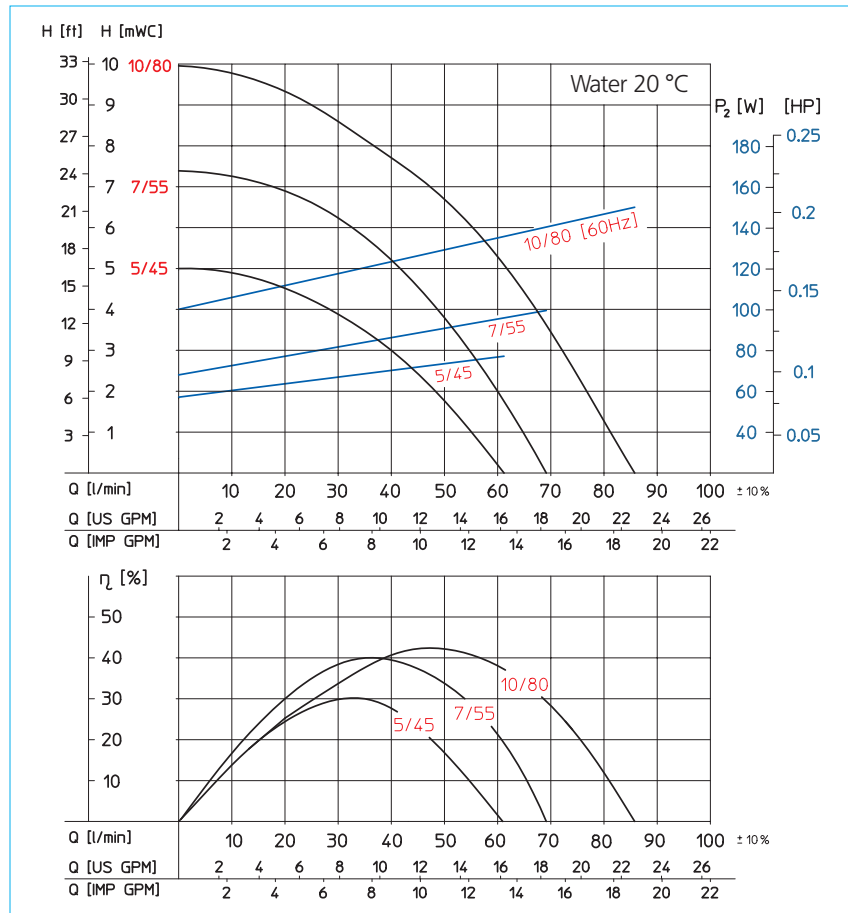


Precise documentation ensures planning reliability for your construction

On the basis of exact performance data, you can choose the exact pump that you need for your plants. The Renner design and production principle also allows individual solutions to be realised.

Accessories

- Extension pipe VL max. = 500 mm
- On/Off switch on terminal box
- Connecting cable completely wired with plug



Size		5/45	7/55	10/80
Hydraulic data				
Max. delivery rate	[l/min / US GPM]	60 / 15.8	70 / 18.5	85 / 22.5
Max. delivery head	[mWC / ft.]	5 / 16.4'	7.5 / 23'	10 / 32.8'
Motor data				
Motor power P ₂ * at 50 Hz	[W / HP]	120 / 0.15	120 / 0.15	-
Motor power P ₂ * at 60 Hz	[W / HP]	144 / 0.2	144 / 0.2	180 / 0.25
Speed at 50 Hz	[rpm]	2850	2850	-
Speed at 60 Hz	[rpm]	3450	3450	3450
Voltage		230 V 1-ph. or 230/400 V 3-ph. **		
Protection type		IP55 ***		
Dimensions				
Installation height [MH]	[mm / inch]	225 / 8.86"	225 / 8.86"	230 / 9.05"
Connections	Suction side ①	Suction screen	Suction screen	Suction screen
	Suction side ②	G 5/4	G 5/4	G 5/4
	Pressure side [T]	G 1	G 1	G 1

Immersion depth L	[mm / inch]	200 / 7.87"	300 / 11.8"	400 / 15.7"	500 / 19.7"
Discharge connection height [V]	[mm / inch]	Standard = 60 / 2.36" alternatively with other dimensions, rotatable, vertically upwards etc.			
Installation flange [D], [LK]	[mm / inch]	Ø 210 / 8.27", LK 185 / 7.28" other dimensions always possible, also available as a rectangular flange			

* All pumps are also available with smaller impeller diameters for liquids with higher specific gravities although this reduces the delivery rates and delivery heads. If necessary, please consult us.

** All international voltages and frequencies are available.

*** Other protection types on request.

Exclusive North American Sales
& Service By:



More than just pumps

FLUX PUMPS CORPORATION

300 Townpark Drive, Suite 130

Kennesaw, GA 30144, USA

Phone 800-367-3589

info@fluxpumpsusa.com

www.fluxpumpsusa.com