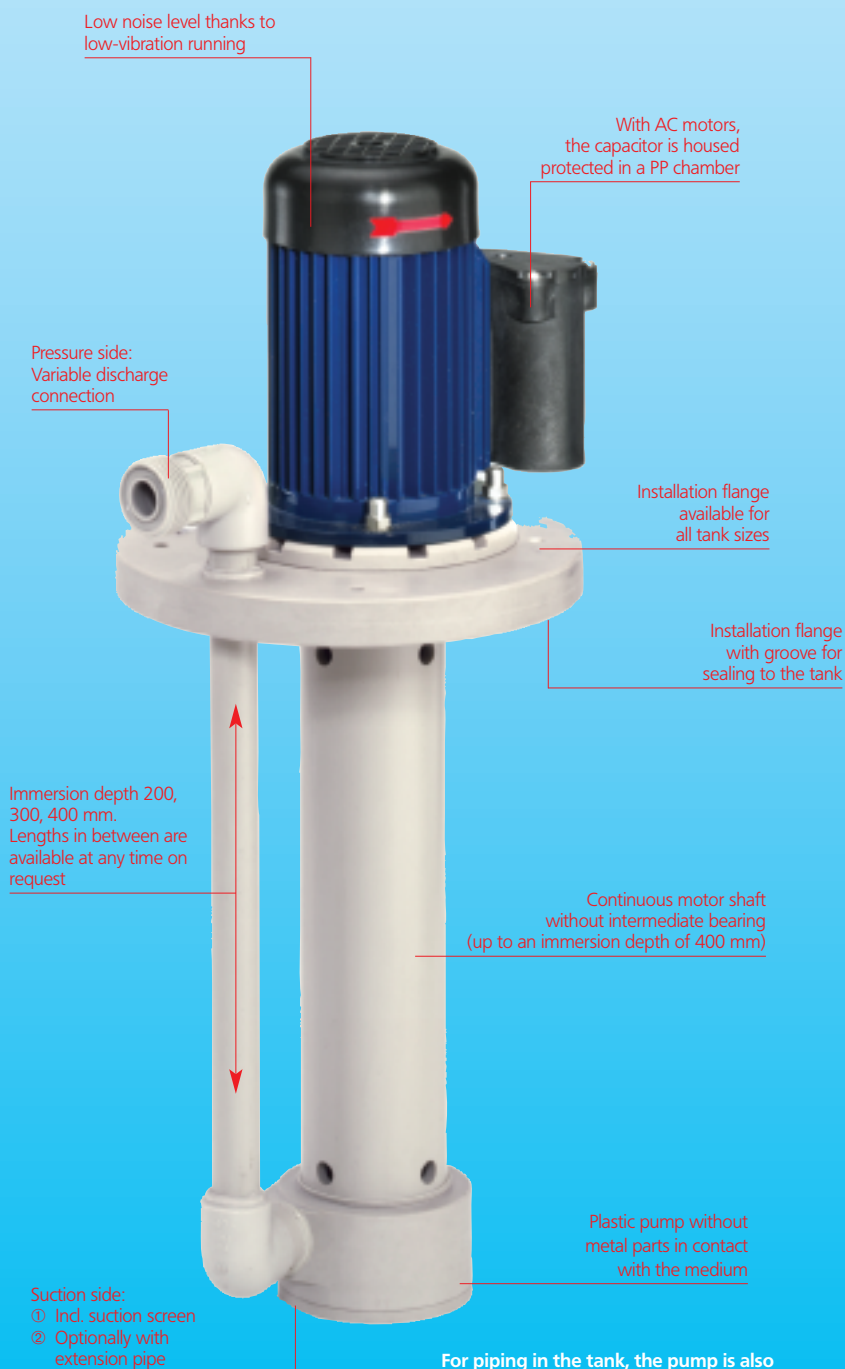


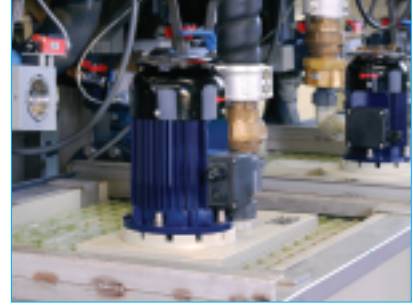
VERTICAL CENTRIFUGAL IMMERSION PUMP

Series RT1

safe to run dry without shaft
intermediate bearing up to an
immersion depth of 400 mm



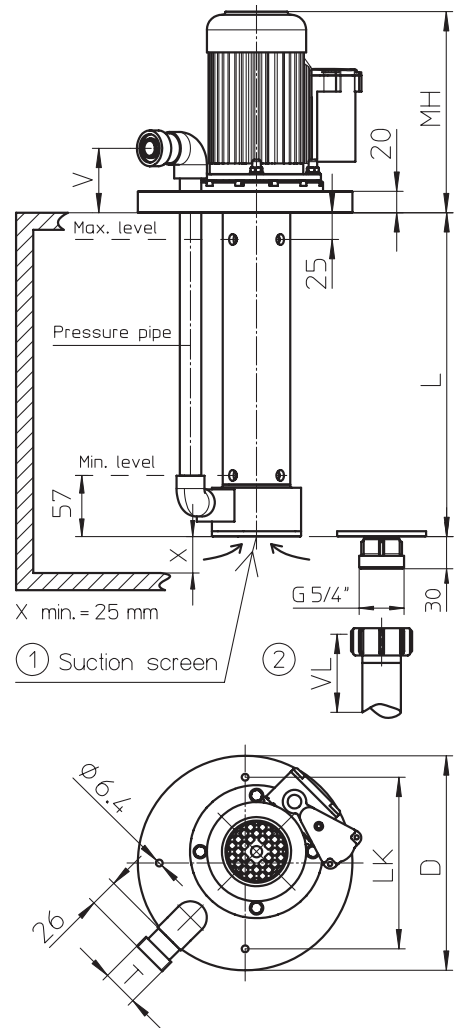
For piping in the tank, the pump is also available without a pressure pipe.



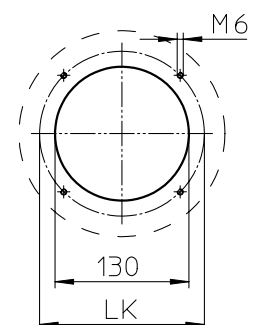
Note

Please refer to the detailed technical information on Pages 5 to 11, which applies to all modules.

Dimensions in mm



Installation opening

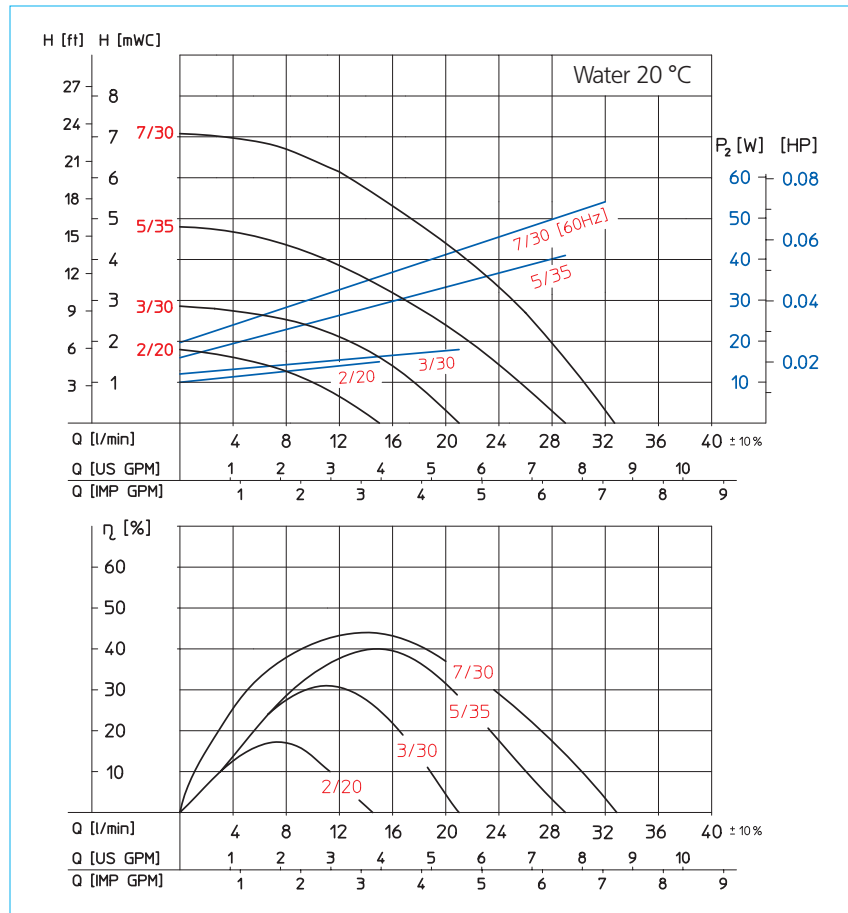


Precise documentation ensures planning reliability for your construction

On the basis of exact performance data, you can choose the exact pump that you need for your plants. The Renner design and production principle also allows individual solutions to be realised.

Accessories

- Extension pipe VL max. = 500 mm
- On/Off switch on terminal box
- Connecting cable completely wired with plug



| Size | | 2/20 | 3/30 | 5/35 | 7/30 |
|---------------------------------------|-------------------|-----------------------------------|----------------|----------------|----------------|
| Hydraulic data | | | | | |
| Max. delivery rate | [l/min / US GPM] | 15 / 4 | 20 / 5.3 | 30 / 7.9 | 32 / 8.45 |
| Max. delivery head | [mWC / ft.] | 1.7 / 5.6' | 2.8 / 9.2' | 5 / 16.4' | 7 / 23' |
| Motor data | | | | | |
| Motor power P ₂ * at 50 Hz | [W / HP] | 60 / 0.1 | 60 / 0.1 | 60 / 0.1 | - |
| Motor power P ₂ * at 60 Hz | [W / HP] | 72 / 0.1 | 72 / 0.1 | 72 / 0.1 | 72 / 0.1 |
| Speed at 50 Hz | [rpm] | 2850 | 2850 | 2850 | - |
| Speed at 60 Hz | [rpm] | 3450 | 3450 | 3450 | 3450 |
| Voltage | | 230 V 1-ph. or 230/400 V 3-ph. ** | | | |
| Protection type | | IP55 *** | | | |
| Dimensions | | | | | |
| Installation height [MH] | [mm / inch] | 1875 / 73.8" | 1875 / 73.8" | 1875 / 73.8" | 1875 / 73.8" |
| Connections | Suction side ① | Suction screen | Suction screen | Suction screen | Suction screen |
| | Suction side ② | G 5/4 | G 5/4 | G 5/4 | G 5/4 |
| | Pressure side [T] | G 1 | G 1 | G 1 | G 1 |

| Immersion depth [L] | [mm / inch] | 200 / 7.87" | 300 / 11.8" | 400 / 15.7" |
|---------------------------------|-------------|--|-------------|-------------|
| Discharge connection height [V] | [mm / inch] | Standard = 60 / 2.36" alternatively with other dimensions, rotatable, vertically upwards etc. | | |
| Installation flange [D], [LK] | [mm / inch] | Ø 200 / 7.87", LK 160 / 6.3" other dimensions always possible, also available as a rectangular flange | | |

* All pumps are also available with smaller impeller diameters for liquids with higher specific gravities although this reduces the delivery rates and delivery heads. If necessary, please consult us.

** All international voltages and frequencies are available.

*** Other protection types on request.

Exclusive North American Sales
& Service By:



More than just pumps

FLUX PUMPS CORPORATION

300 Townpark Drive, Suite 130

Kennesaw, GA 30144, USA

Phone 800-367-3589

info@fluxpumpsusa.com

www.fluxpumpsusa.com